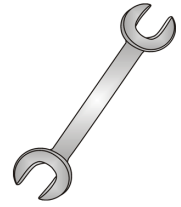




# PRO-STEP™

## Fitting Instruction

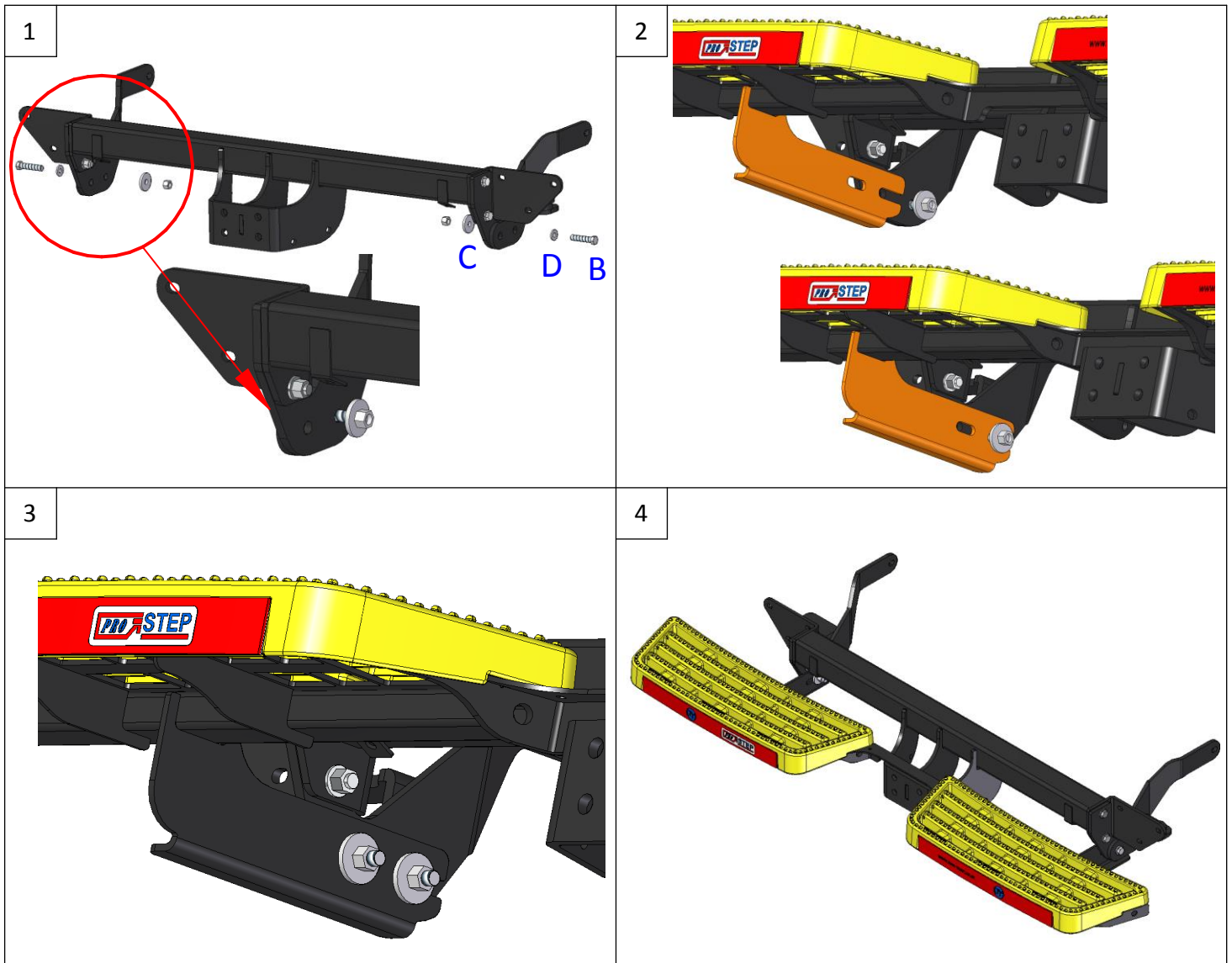


Issue 1

### PRO-TP3

Item	Qty	Description
A	1	PRO-TP3 STEP
B	4	M12 x 55 Bolts (10.9) & 4 Nyloc Nuts
C	4	12 x 40 Flat Washers
D	4	12 x 25 Flat Washers
E	8	Black M12 Bolt Caps

1. Using Item **B** with Item **C** and Item **D** loosely fix the chassis brackets (Items **D** & **E** on TP3 Towbar instruction) to the side arms (Items **B** & **C** on TP3 Towbar instruction) at the forward mounting point only as per Fig.1 in the sketch below leaving the fixing loose enough to enable you to slide Item **A** through the open slot (Fig.2).
2. Using Item **B** with Item **C** and Item **D** fix Item **A** through the remaining fixing point.
3. Fully tighten all fixings ensuring the Towbar and Pro-Step are rigid, square and secure.



**Note:**

1. Nose load limits and vehicle manufacturers trailer / caravan weight limits must be observed.