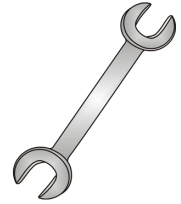




# Tow-Trust Towbars

Important: Please read General Notes overleaf before fitting

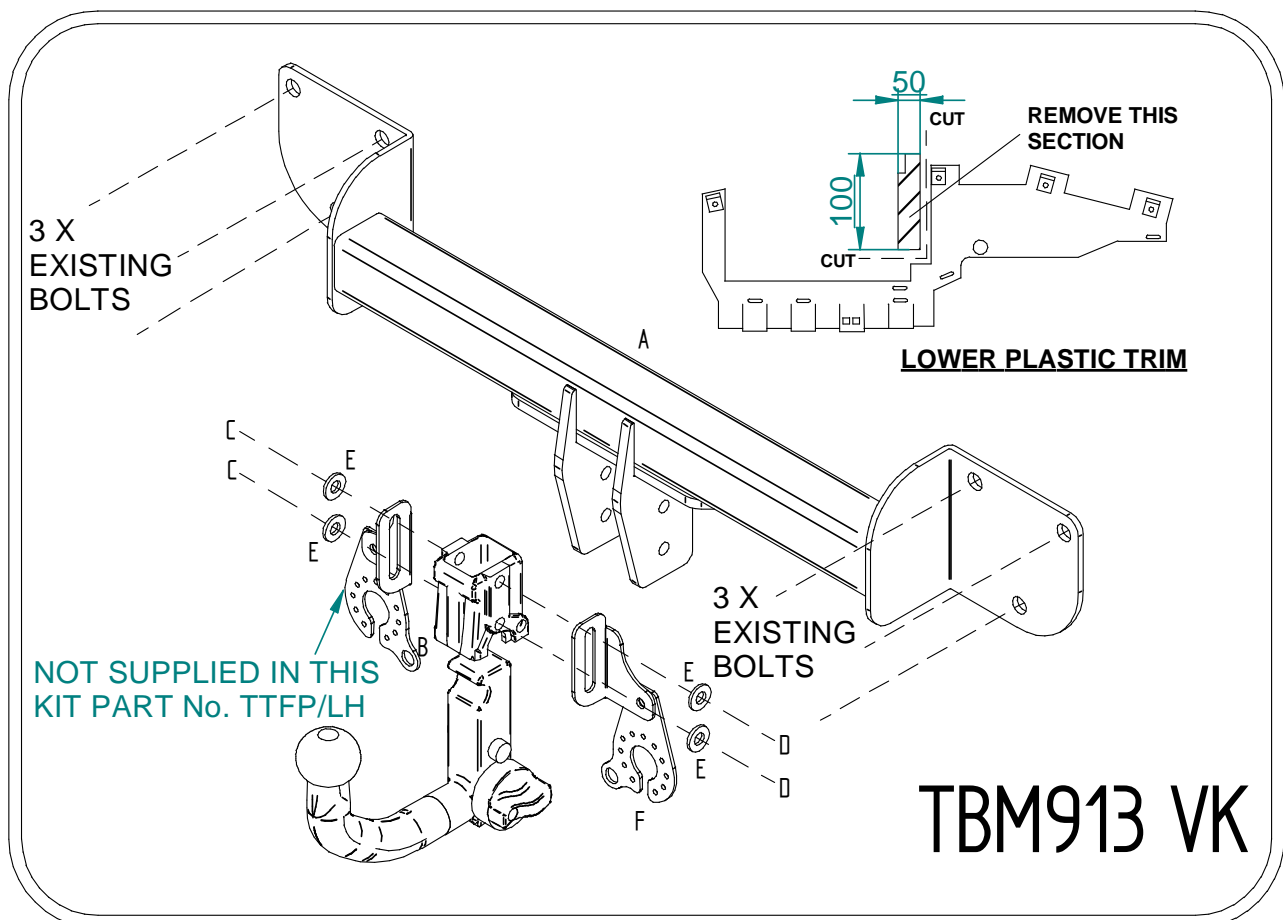


Issue 7

## TBM913VK BMW 3 Series Sal (E90) & Est (E91) 2005-2012 BMW 3 Series Coupe (E92) 2007>

Item	Qty	Description	Item	Qty	Description
A	1	Crossmember	C	2	M12 x 25 Bolts & S/P Washers
B	1	Detachable Housing	D	2	M12 x 25 Bolts & S/P Washers
			E	4	12 x 25 Flat Washers
			F	1	Flip Down Socket Plate (TTFP RH)

1. Remove light clusters and rear bumper. Eleven fixings along lower edge, three fixings around each wheel arch, one tip fixing each side, one fixing by each light cluster (on boot shut panel) underneath plastic cap. At each tip pull bumper outwards. Disconnect reversing sensors (if fitted). Remove lower plastic trim. (Take care when removing and refitting bumper).
2. Temporarily lower exhaust.
3. Remove bumper beam and retain original fixings. **(Bumper beam is fitted with Towbar assembly)**
4. Using original fixings bolt Item **A** and **bumper beam** to existing threaded holes on rear panel.
5. As a precaution seal around each end plate of the towbar to prevent water damage.
6. Using Item **D** with Item **E** and Item **C** with Item **E** bolt Item **B** and Item **F** to Item **A**.
7. Fully tighten all fixings and ensure the towbar is rigid and secure.
8. Refit bumper and reconnect reversing sensors (if fitted).
9. Replace exhaust onto its hanger.
10. Cut lower plastic trim 50mm x 100mm (see sketch).



### Note:

1. Recommended Torque Setting for M12 Grade 10.9 -139 Nm. (For other Torque Settings see notes overleaf.)
2. Nose load limits and vehicle manufacturers trailer / caravan weight limits must be observed.