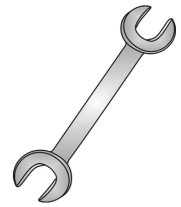




Tow-Trust Towbars

Important: Please read General Notes overleaf before fitting



Issue 2

TJAG4SN JAGUAR XE 2015> XF (260) 2015> XF SPORTBRAKE (260) 2017>

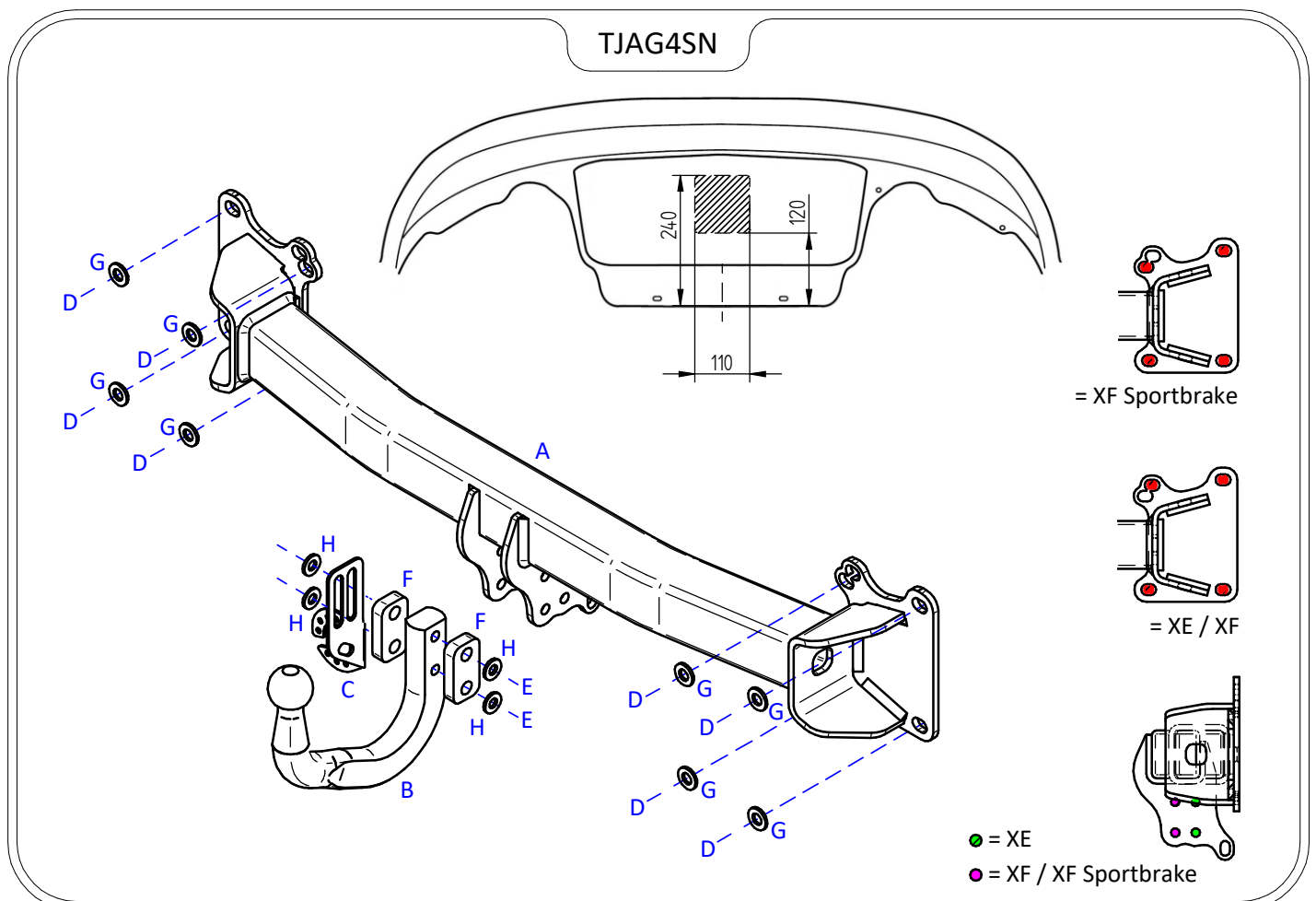
Item	Qty	Description	Item	Qty	Description
A	1	TJAG4 Crossmember	C	1	VASP8 L/H Socket Plate
B	1	ACS2 / 9202 Swan Neck	D	8	M14 x 40 Bolts & S/P Washers
			E	2	M12 x 110 Grade 10.9 Bolts & Nyloc Nuts
			F	2	15mm Spacer Plates
			G	8	14 x 27 Flat Washers
			H	4	12 x 25 Flat Washers

BUMPER REMOVAL:

1. Remove the rear bumper, four fixings along the lower edge, two wheel arch fixings either side, peel back wheel arch liner to reveal one more fixing either side. Remove side covers from each light cluster and remove exposed fixing.
2. Remove the rear impact beam (This is NOT refitted with the Towbar assembly). Sportbrake only: you will need to unclip upper bumper support to access top mounting points of rear beam.

TOWBAR INSTALLATION:

1. Using Item D with item G fit Item A to the rear panel.
2. Fully tighten all fixings ensuring the Towbar is rigid, square and secure
3. Cut the rear bumper as per the sketch below and refit.
4. Fit Item B and Item C to Item A using Item E with Item H and Item F.
5. Fully tighten all remaining fixings ensuring the Towbar is rigid, square and secure.



Note:

1. Torque Settings see notes overleaf.
2. Nose load limits and vehicle manufacturers trailer / caravan weight limits must be observed.