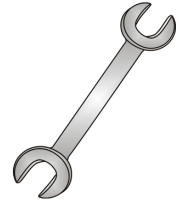




Tow-Trust Towbars

Important: Please read General Notes overleaf before fitting



Issue 1

TK13 HYUNDAI iX20 / KIA VENGA 2010>

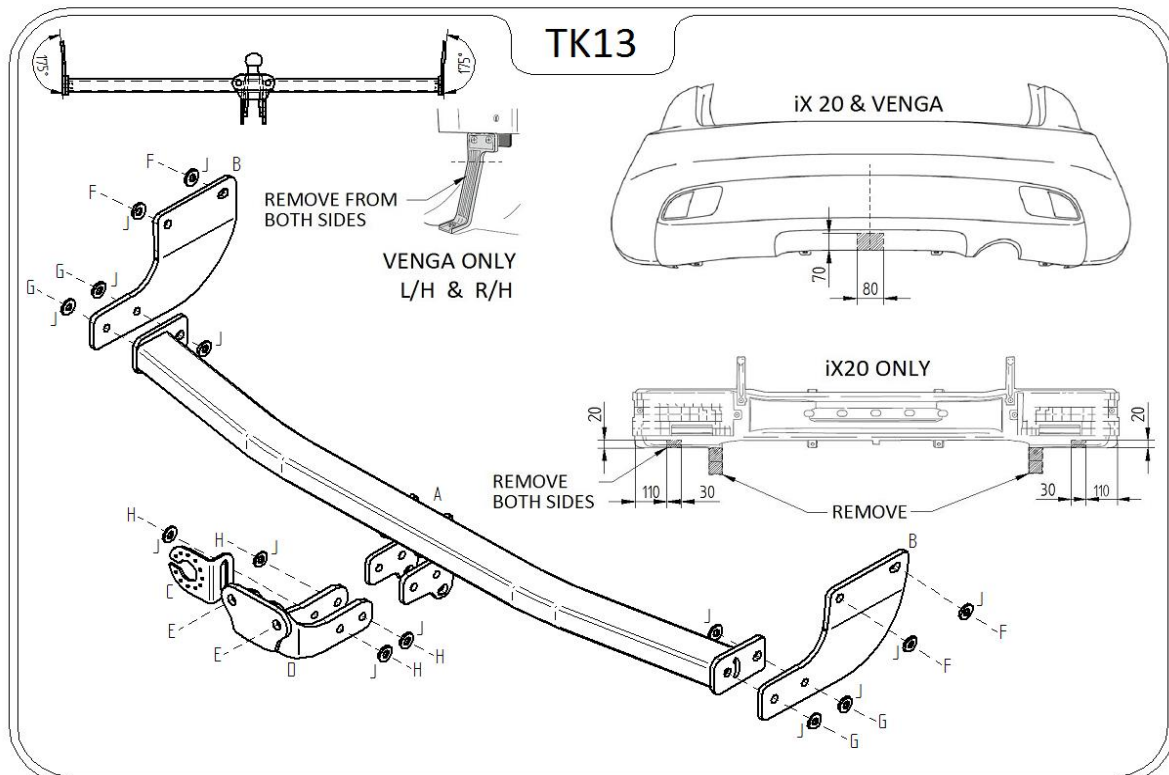
Item	Qty	Description	Item	Qty	Description
A	1	Crossmember	E	2	M16 x 50 Bolts, Nuts & S/P Washers
B	2	Handed Side Arms	F	4	M12 x 35 x 1.25 Bolts & S/P Washers
C	1	Socket Plate 1	G	4	M12 x 40 Bolts, 2 Nuts & 4 S/P Washers
D	1	Extension	H	4	M12 x 40 Bolts & Nyloc Nuts
			J	14	12 x 25 Flat Washers

BUMPER REMOVAL:

1. Remove rear light clusters, two fixings on each light and pull rearward. Remove three bumper fixings beneath each light cluster (2 Fixings on iX20), remove four fixings around each wheel arch and four fixings along the lower edge. Finally remove the two bolts through the rear panel each side. Pull bumper rearward disconnecting loom when access is available.

TOWBAR INSTALLATION:

1. **KIA VENGA:** Remove the two lower bumper straps, **HYUNDAI iX20:** cut inner bumper beam as shown in sketch.
2. Locate Towbar mounting points and ensure chassis members are clean and free from under seal.
3. Using Item F with Item J bolt Items B to each correct chassis member.
4. Using Item G with Item J bolt Item A between each side arm (Items B).
5. Using Item H with Item J bolt Item C and Item D to Item A.
6. Using Item E bolt your desired ball bracket (not supplied in this kit) to Item D.
7. Fully tighten all nuts and bolts ensuring Towbar is rigid, square and secure.
8. Cut bumper as shown in sketch and refit along with light clusters.



Note:

1. Recommended Torque Setting for M12 Grade 10.9 -139 Nm. (For other Torque Settings see notes overleaf.)
2. Nose load limits and vehicle manufacturers trailer / caravan weight limits must be observed.