

TTOY14 TOYOTA RAV4 2019> / SUZUKI ACROSS 2020>

Item	Qty	Description	Item	Qty	Description
A	1	TTOY14 Crossmember	E	2	M16 x 50 Bolts & Nyloc Nuts
B	2	Flat Side Arms	F	8	M12 x 35 x 1.25 Bolts & S/P Washers
C1	1	L/H Side Arm	G	4	M12 x 45 Bolts & Nyloc Nuts
C2	1	R/H side Arm	H	2	M12 x 45 Bolts & Nyloc Nuts
D	1	Extension	J	1	M12 x 130 Bolt & Nyloc Nut
			K	20	12 x 25 Flat Washers
			L	1	30mm O/D x 60mm Long Spacer Tube

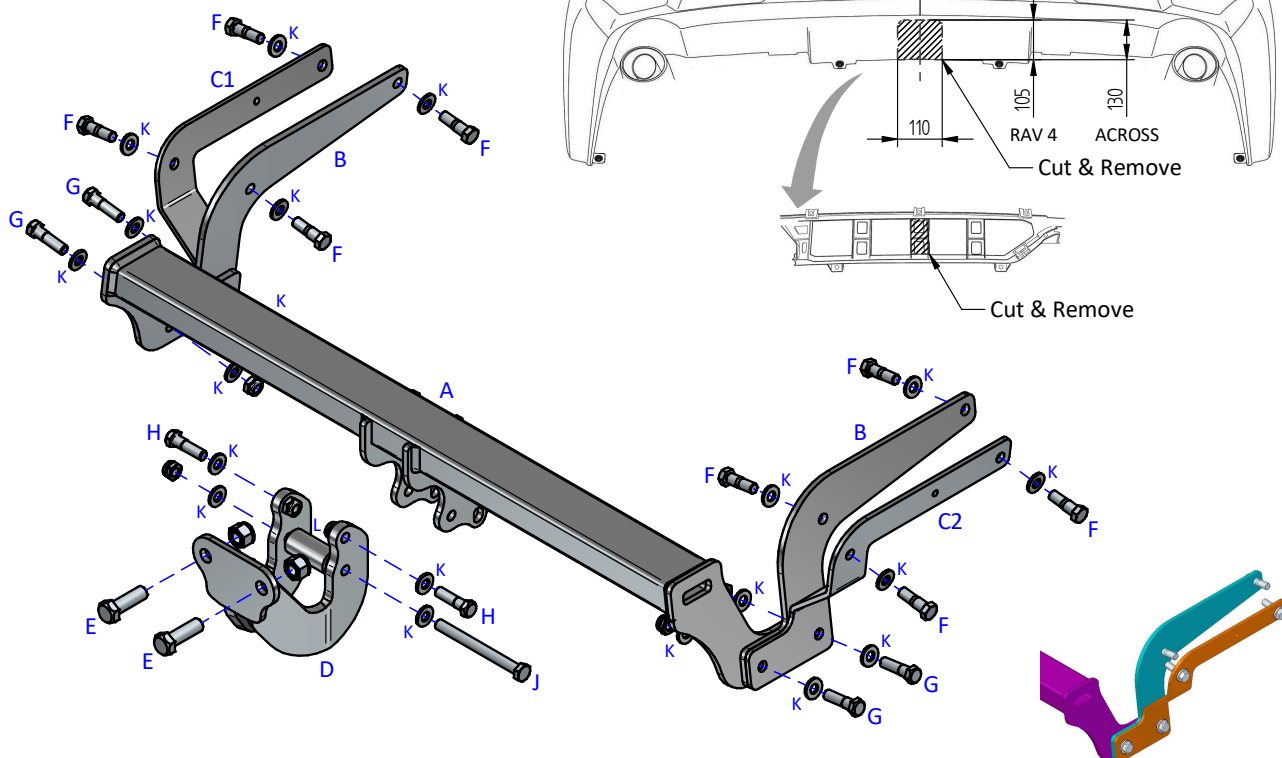
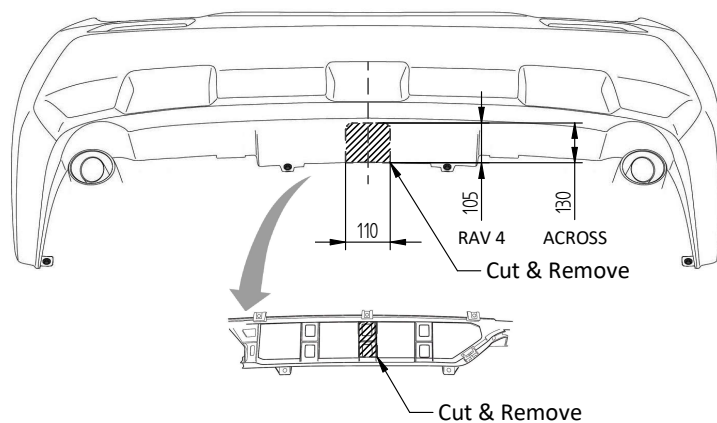
BUMPER REMOVAL:

1. Open the rear tailgate and remove the trim from the inner face of each rear light cluster, this will reveal one bumper fixing to remove either side of the tailgate opening.
2. Remove four fixings from the bumper lower edge, one each side of the lower tailgate opening, three from each wheel arch, unclip wheel arch trim and peel back wheel arch liner to reveal one tip fixing.
3. Carefully release the bumper tips from the vehicle body then pull rearward disconnecting any necessary wiring looms.
4. Remove the rear impact beam (This is not refitted with the Towbar assembly), refit fixings into rear panel and torque to 30Nm.

TOWBAR INSTALLATION:

1. Remove the Towing eye from the O/S chassis (This is not refitted with Towbar assembly).
2. Locate the Towbar mounting points and clean off any mastic or under seal.
3. Using Item F with Item K fix Items B to the inside face of each chassis.
4. Using Item F with Item K fix Item C1 to the N/S chassis and Item C2 to the O/S chassis.
5. Using Item G with Item K fix Item A between Items B.
6. Fully tighten all fixings ensuring the Towbar is rigid, square and secure.
7. Cut the rear bumper skin and inner structure as shown below.
8. Fix Item D to Item A using Item H with Item K and Item J with Item K ensuring Item L is fitted between the lower mounting point.
9. Using Item E fix your desired ball bracket and wiring plate (Not supplied in this kit) to Item D.
10. Fully tighten all remaining fixings.
11. Refit the rear bumper.

Bumper Cut Details Below



Notes:

1. For Torque settings see general notes overleaf.
2. Nose load limits and vehicle manufacturer's trailer / caravan weight limits must be observed.